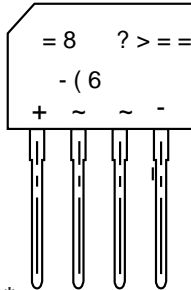




: 5 * % 3

8OWUDVRIW 5HFRYHU\ %ULGJH



3, 11, 1*

3, 1	'(6&5,37,21
	,QSXW 3A Q
	,QSXW 3A Q
	2XWSXW \$ Q RGH
	2XWSXW & A W KRG H

) HDWXUHV
 ‡* OD 3 DVVLY 8 DWL 3 G FWLRQ
 ‡5HYH 9 R 10 WDJH9
 ‡)RUZ & X G U H Q W
 ‡+LJ 6 X U & X U U & H Q W E L O L W \\
 ‡'HVLJQR 6 X U I D R X \$ S S O L F D W L R Q
 %HQHILWV
 ‡&DVH%3
 ‡7HUPL 6 R O G H 3 B B 0 H 6 7'

0D[LPXP 5DWLQ 6G H F W E K B D O F W H U L V W L F V

5DWLQ W V & D P E L M Q W S H U D Q W R U M K H U Z S H F L I L H G
 6LQJ O H S K D V H K Q U H Z D V M U Q G X F O R D M H S D F L W E X H U C R O W H

3DUDPHWHU	6\PEROV	:5*%3	8QLWV
0D[LPXP 5HSHWLWLYH 3HDN 5 9506	5 9506	VH 9ROWDJH	9
0D[LPXP 506 YROWDJH	9506		9
0D[LPXP '&%ORFNLQJ 9ROWDJH			9
\$YHUDJH 5HFWLILHG 2XWSXW &RUUHQW			\$
5HYHUVH 5HFRYHU\ 7LPH ,) \$,5 \$,55 \$	7UU		XV
3HDN)RUZDUG 6XUJH &XUUHQW +DOI 6LQH :DYH 6XSHULPSRV, H G R Q 5DWHG /RDG -('(&0HWKRG		PV 6LQJOH	\$
, WUDW 6 R O V L Q B V W P V	, W		\$ 6
0D[LPXP)RUZDUG WDW \$	9)		9
0D[LPXP '&5HYHUVH &XUUHQW #7\$ DW 5DWHG '&%ORFNLQJ 9ROWDJH #7\$		f & f &	\$
7\SLFDO -XQFWLR 6 R D S D F L W D G & M H			S)
2SHUDWLQJ DQG 6WRUDJH 7H P S T W D W X U H 5 D Q J H			f &
1RWH0HDVX D M G +] D Q G S S O L H H Y H U R G H V R D J H &			

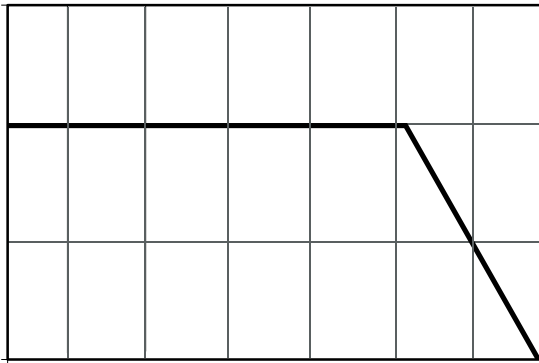


: 5 * % 3

Q

5 \$ 7 , 1 * 6 \$ 1 ' & + \$ 5 \$ & 7 (5 , 6 7 , & 6 & 7 5 9 (6 X Q O H V V R W K H U Z L V H Q R W H G

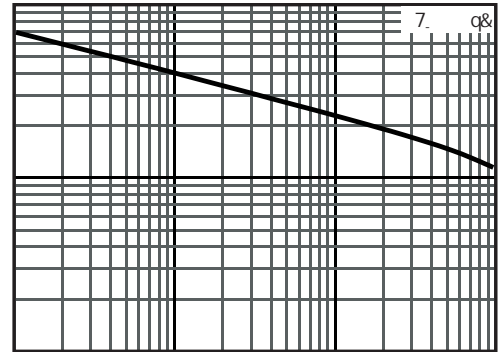
, I \$ Y H U D J H) R U Z D U G & X U U H



7 F & DVH^R & 7 HPS

Current Derating

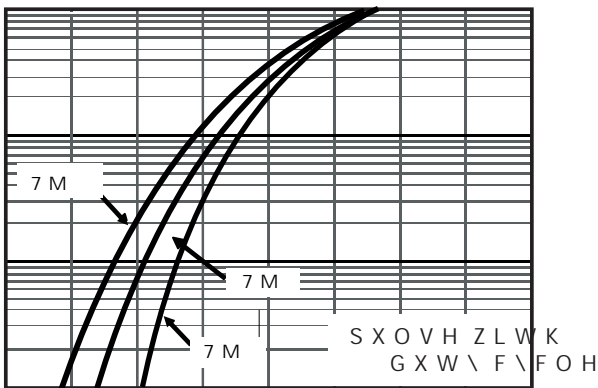
Capacitance (pF)



Reverse Voltage(V)

Typical Junction Capacitance

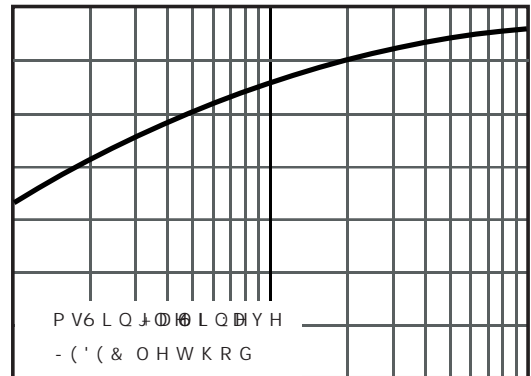
, I , Q V W D Q W B O E H R X W U H S Q W



9 I , Q V W D Q W D Q H R R O W W D U G

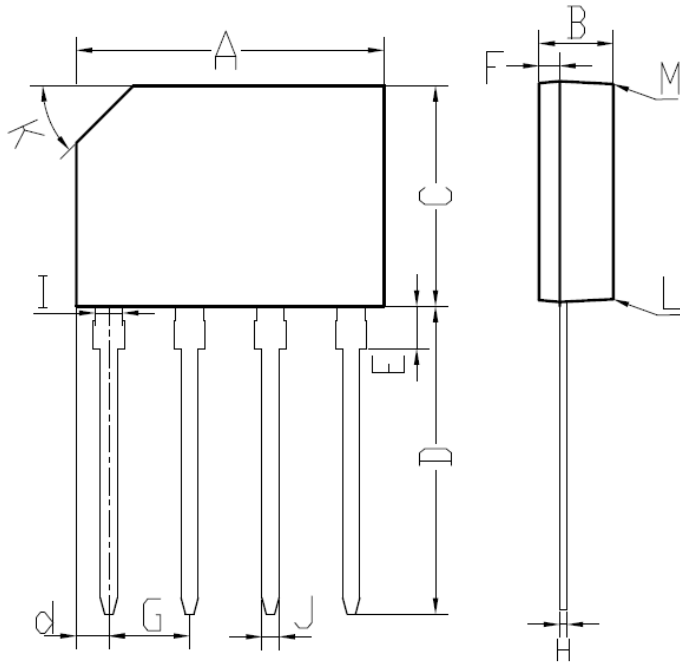
Typical Forward Voltage

, U 5 H Y H U V H \$ & X U U H W



9 5 5 H Y H U V H 9 R O W W D J H

Typical Reverse Current



GBP		
DIM.	MIN.	MAX.
A	14.20	14.70
B	3.30	3.60
C	10.20	10.60
D	13.80	14.40
d	1.40	1.70
E	1.80	2.20
F	0.80	1.10
G	3.71	3.91
H	0.30	0.55
I	1.22	1.42
J	0.76	0.86
K	2.7 x 45° (Typ)	
L	#	3°
M	#	2°
All Dimensions in millimeter		